



Equipment

Reef-Sump

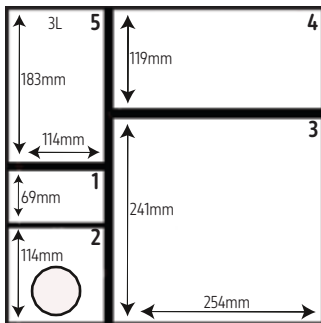
Advanced sump system

- Precision engineered from the highest quality materials.
- Versatile compact design ensures the smallest possible footprint whilst maximising space for incorporating various filtration components.
- Integral mechanical filter bag system inc 4" 100 micron filter bag which ensures effective and efficient removal of solid waste from the incoming aquarium water.
- Bubble diffusing inlet chamber with lid helps eliminate bubbles and noise from the incoming aquarium water.
- Easy to access compartments allow simple maintenance and cleaning.
- Freshwater reservoir with lid - perfect for use with an Auto Top Up system.
- Triple probe holder allows monitoring probes to be safely positioned and secured within the sump.
- Four integral dosing tubes, allowing easy connection to EASI-Dose dosers [not supplied].
- Easy installation, suitable for direct connection to 1" rigid pipework. Also supplied complete with hosetails for connection to 25mm and 32mm flexible hosing [hosing not supplied].
- Supplied complete with a removable refugium baffle allowing part of the sump to be used as a dedicated refugium if desired.

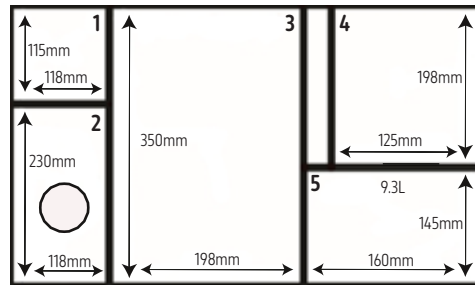


Reef-Sump

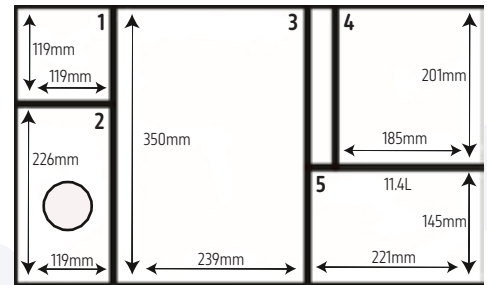
Code	Product	Optimum Aquarium Size (l)	Max Aquarium Size (l)	Ext. Dimensions (mm)
9870	Reef-Sump S	100	225	381 x 381 x 356
9871	Reef-Sump M	200	325	500 x 360 x 400
9872	Reef-Sump L	300	425	610 x 356 x 410
9873	Reef-Sump XL	450	600	762 x 410 x 410
9874	Reef-Sump XXL	700	825	914 x 457 x 410



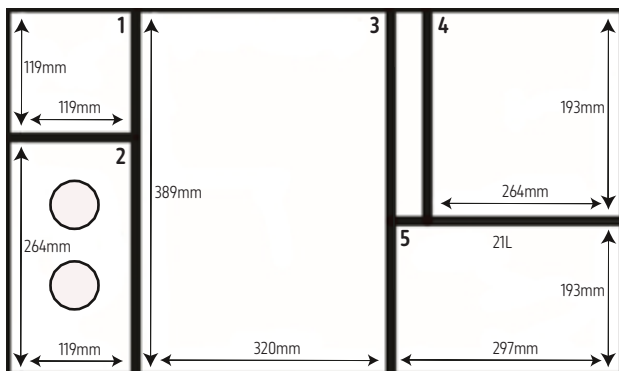
Reef-Sump S



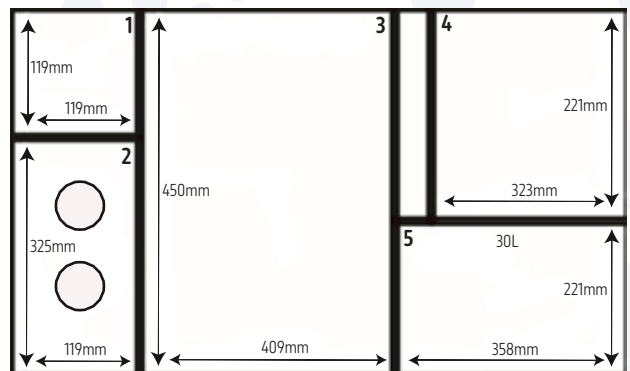
Reef-Sump M



Reef-Sump L



Reef-Sump XL



Reef-Sump XXL

1. Inlet
2. Filter Bag System
3. Protein Skimmer
4. Return Pump
5. Freshwater Reservoir